

1

2

3

4

5

6

A

B

C

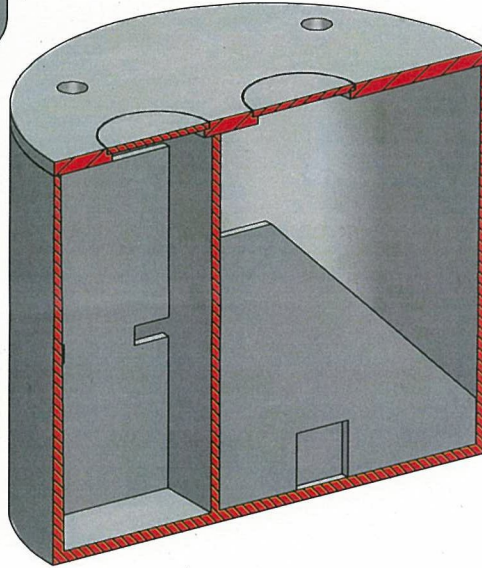
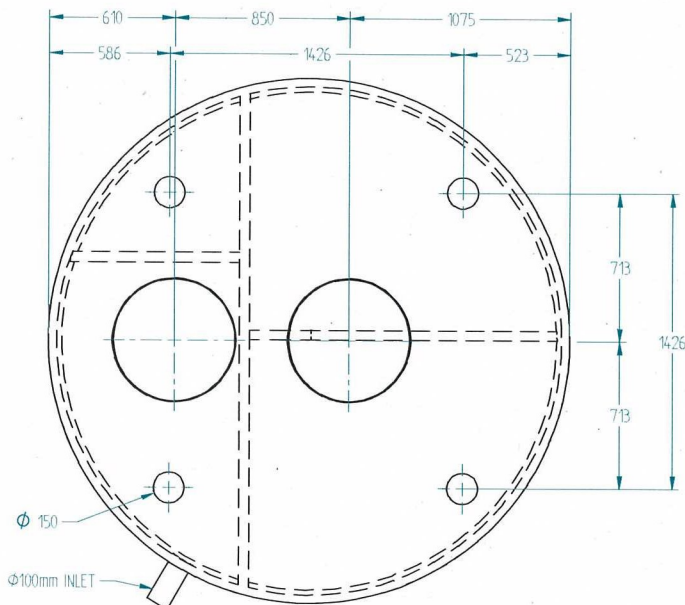
D

A

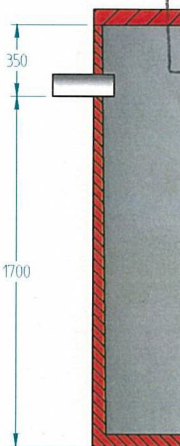
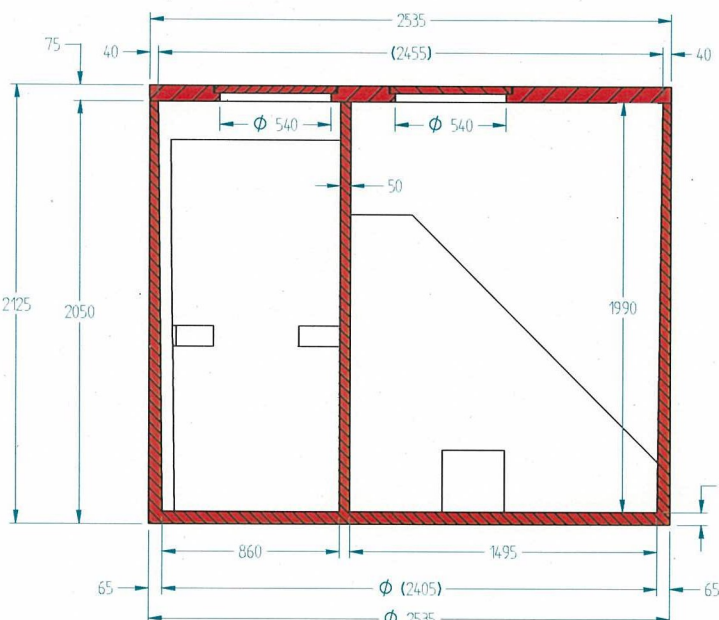
B

C

D



APPROVED
18 AUG 2010
DEPARTMENT OF HEALTH, N.S.W.



NOTES:

1. SEPTIC TANKS TO BE MANUFACTURED AND TESTED IN ACCORDANCE WITH AS/NZS 1546.1:2008
2. CONCRETE STRENGTH = 40MPa
3. CONCRETE TO BE VIBRATED TO ENSURE WELL COMPACTED CONCRETE
4. TANKS TO BE REINFORCED WITH FIBRE STEEL
5. LIFTING TO BE "REID SWIFT LIFTS" 4 x 25 TONNE FOOT ANCHORS CAST INTO BASE OF THE TANK, 3 x 1.3 TONNE ANCHORS CAST INTO TANK LIDS

<p>Econocycle ADVANCED WASTEWATER TREATMENT SYSTEMS</p>		PROJECT	PUMPOUT COMBO		
	<small>UNLESS OTHERWISE SPECIFIED ALL DIMENSIONS ARE IN MM</small>	TITLE	7100L CONCRETE TANK ASSY NSW HEALTH CERTIFICATION DRAWING		
<p>COPYRIGHT</p> <small>THIS DRAWING AND HEREIN IS NOT TO BE REPRODUCED OR TRANSMITTED IN ANY FORM OR BY ANY MEANS, ELECTRONIC OR MECHANICAL, INCLUDING PHOTOCOPYING, RECORDING, OR BY ANY INFORMATION STORAGE AND RETRIEVAL SYSTEM, WITHOUT WRITTEN PERMISSION.</small>	<p>SCALE</p> <p>DO NOT SCALE</p>	DATE PLOTTED	28/07/2010	COAT/TREAT	
<p>DRAWN BY</p> <p>P. MCKAY</p>	<p>DRAWING LAST MODIFIED BY</p> <p>P. MCKAY</p>	PART#	124_1010	REVISION	2.A
<p>MODELLED BY</p> <p>P. MCKAY</p>	<p>MODEL LAST MODIFIED BY</p> <p>P. MCKAY</p>	SHEET SIZE	A3	SHEET No	1 OF 1

1

2

3

4

5

6